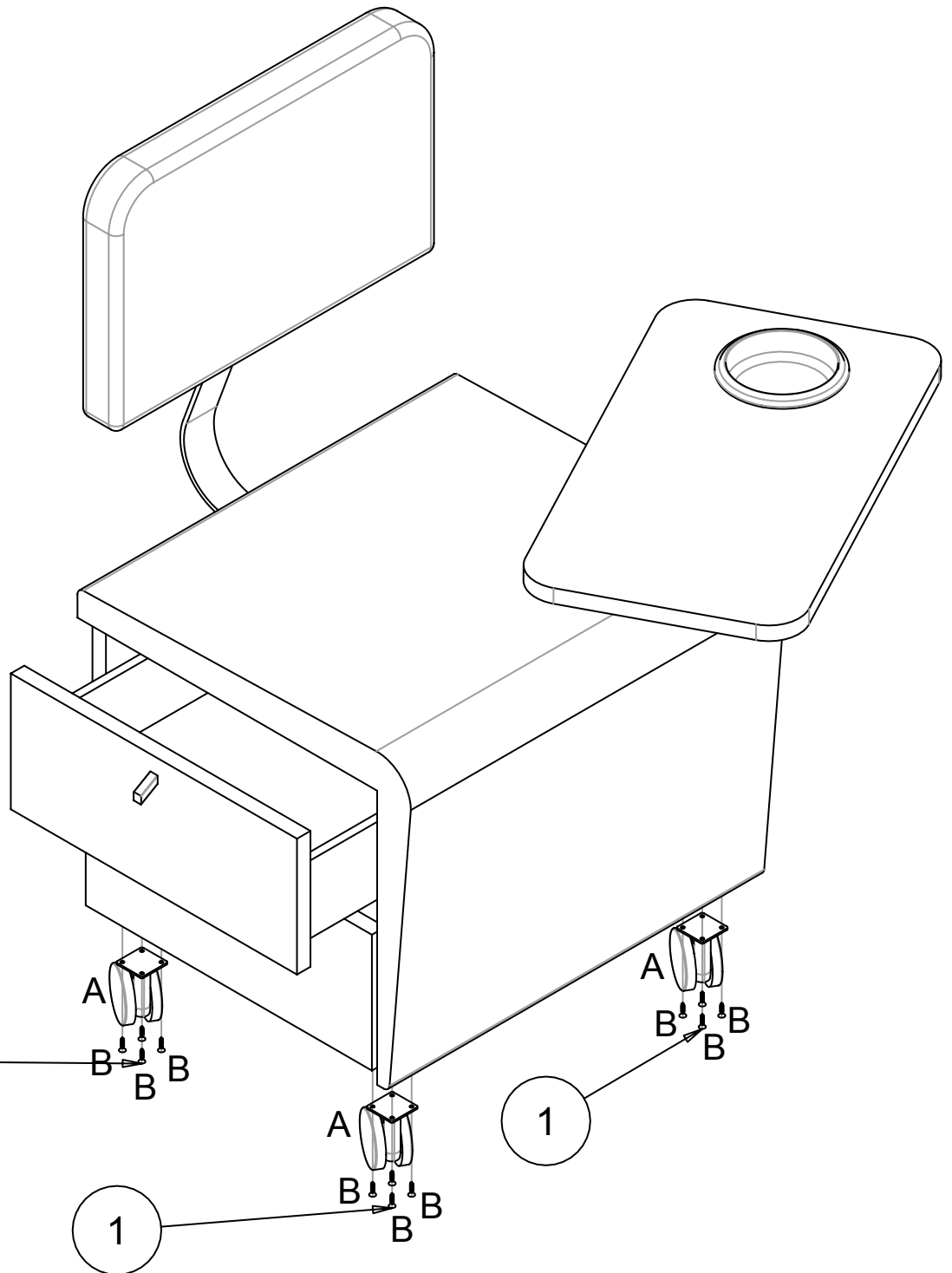
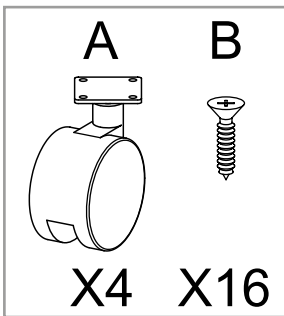


Wallie



MB/C50



MB/C51



MB/C52

